

Sno-Konette

Instruction Manual

Deluxe – Model #1002, 1002EX
Standard – Model #1003, 1003EX



Model #1003
and 1003EX



Model #1002
and 1002EX

 **GOLD MEDAL**®

FUNFOOD EQUIPMENT & SUPPLIES

Cincinnati, OH 445241-4807 USA

Safety Precautions



⚠ CAUTION

This equipment is designed and sold for commercial use only. This equipment is not to be used by the consumer in home use. Do not allow direct contact of this equipment by the public when used in food service locations. Only personnel trained and experienced in the equipment operation may operate this equipment. Carefully read all installation instructions before operating the equipment.



⚠ WARNING

Always wear safety glasses when servicing this equipment.



⚠ WARNING

Never put your fingers or any object into the shaver body (the goose-neck) while the motor is running. Serious injury may occur. (*Gold Medal Products does not assume any liability for injury due to careless handling and/or reckless operation of this equipment*).



⚠ WARNING

Any alterations to this equipment will void the warranty and may cause a dangerous situation. NEVER make alterations to the equipment.



⚠ DANGER

Machine must be properly grounded to prevent electrical shock to personnel.
Do NOT immerse the equipment in water.

Always unplug the equipment before cleaning or servicing.

NOTE

The information, specifications and illustrations contained in this manual represent the latest data available at time of publication. Right is reserved to make changes as required at the discretion of Gold Medal Products Company without notice.

INSTALLATION

MACHINE DESCRIPTION

The Sno-Konette is an automatic shaver with a tremendous capacity. You will find that it keeps up with any demand; as soon as you put ice into the hopper, it is shaved into small ice chips. The Sno-Konette consists of the hopper, which houses the cutter head, the pusher handle, the motor, and the display case.

ELECTRICAL REQUIREMENTS

The Sno-Konette operates on 120 Volt, 15 Amp, single phase, 60 cycle AC current. The Sno-Konette Export operates on 230 Volt, 50 cycle. Models are available in a 12 volt DC version. Be sure that your electrical supply meets this requirement.

ICE REQUIREMENTS

The Sno-Konette can take ice cubes or block ice, if you break the block into pieces approximately 3 to 4 inches in size.

NOTE: The ice will not enter the shaving chute if the pieces are too large.

MACHINE OPERATION

After unpacking the Sno-Konette you should locate the pusher handle (packed in a separate box). Connect the pusher handle to the shaver body. Plug the power cord into the appropriate electrical outlet.

TO OPERATE THE SNO-KONETTE

1. Fill the hopper to within an inch of the top with ice cubes or block ice (no larger than 3" to 4"). The larger the pieces, the better the snow.
2. Switch the motor on. Wait for the motor to come to full speed (a minute or so).
3. Push the pusher handle down against the ice in the hopper. Apply firm and even pressure to make the best snow. Practice will allow you to gauge when to stop pressing. This allows the ice to resettle against the shaver head. You may find that you need to relieve the pressure two or three times in a cycle. Too much pressure will result in snow that is coarse; too little pressure will make the snow mushy.

NOTE: Never allow any foreign or metallic objects around the shaver area of the Sno-Konette. Ice picks, scoops, and debris that may be in the ice often damage blades.

MAINTENANCE INSTRUCTIONS



CAUTION

THE FOLLOWING SECTIONS OF THIS MANUAL ARE INTENDED ONLY FOR QUALIFIED SERVICE PERSONNEL WHO ARE FAMILIAR WITH ELECTRICAL EQUIPMENT. THESE ARE NOT INTENDED FOR THE OPERATOR.



WARNING

Adequate eye protection must be used when servicing this equipment to prevent the possibility of injury.



DANGER

Do NOT immerse the equipment in water.
Unplug your machine before servicing.

ORDERING SPARE PARTS

1. Identify the desired part by checking it against the photos, illustrations, and/or the parts list.
2. When ordering, please include part number, part name, and quantity desired.
3. Please include your model name and machine serial number (located on the machine nameplate) with your order.
4. Address all parts orders to:

Parts Department
Gold Medal Products Co.
10700 Medallion Drive
Cincinnati, Ohio 45241-4807
or, place orders at:
(513) 769-7676
Fax: (513) 769-8500
E-mail: goldme19@eos.net

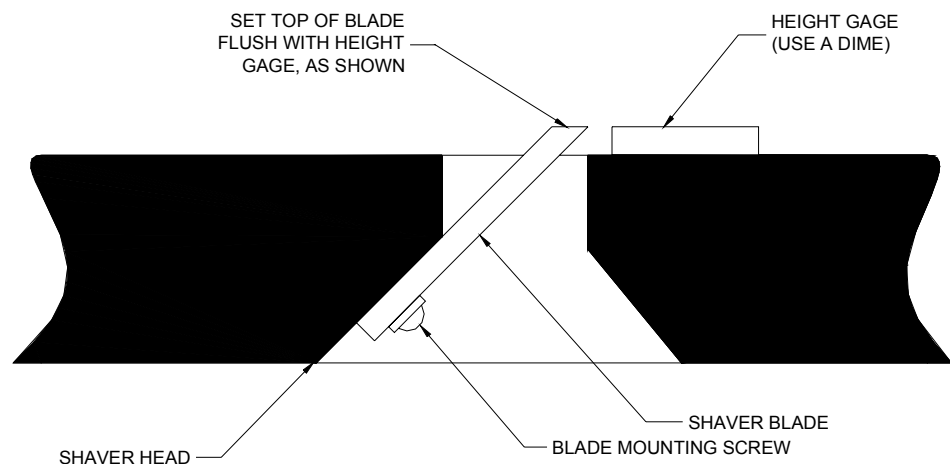
INSTALLING NEW SHAVER BLADES

Inspect your equipment before replacing the blades. Use a flashlight to examine the blades in the shaver body. If the blades appear to be nicked or bent, then the blades should be replaced.

Follow this procedure:

1. Unplug the main power supply cord from the electrical outlet.
2. Remove the shaver head from the motor shaft by loosening the Allen head set screws (2) between the motor and the hopper.
3. Remove the shaver head. Pull the shaver head off of the motor shaft and through the hopper. If the shaver head is frozen onto the shaft, remove the hold down bolts on the motor. Pull the motor back, trapping the shaver head against the inside of the hopper, until the shaver head disengages.
4. After removing the shaver head, check the motor shaft for burrs and corrosion. Use a fine tooth file to remove the burrs and corrosion.
5. Remove the blades from the shaver head. These blades may be resharpened, but it is far better to replace the old blades with a new set.
6. Position the new blades and insert screws until they are finger tight.
7. Set the blade thickness equal to a dime. (See illustration below.) Make sure that the height is even across the shaver head.
8. Tighten the blade screws completely. Check the blades again with a dime to ensure the blades did not move while tightening the screws.
9. Replace the motor and shaver head. Mount the motor using the hold down bolts. Insert the shaver head through the hopper and onto the motor shaft. Press the shaver head onto the motor shaft with the pusher handle, then move the shaver head in another 1/8". Check that the shaver head is not rubbing against the back of the hopper and the blades are not touching the pusher handle.
10. Replace the set screws (2) between the hopper and the motor.

NOTE: Replace the shims that were between the motor base and the mounting surface.



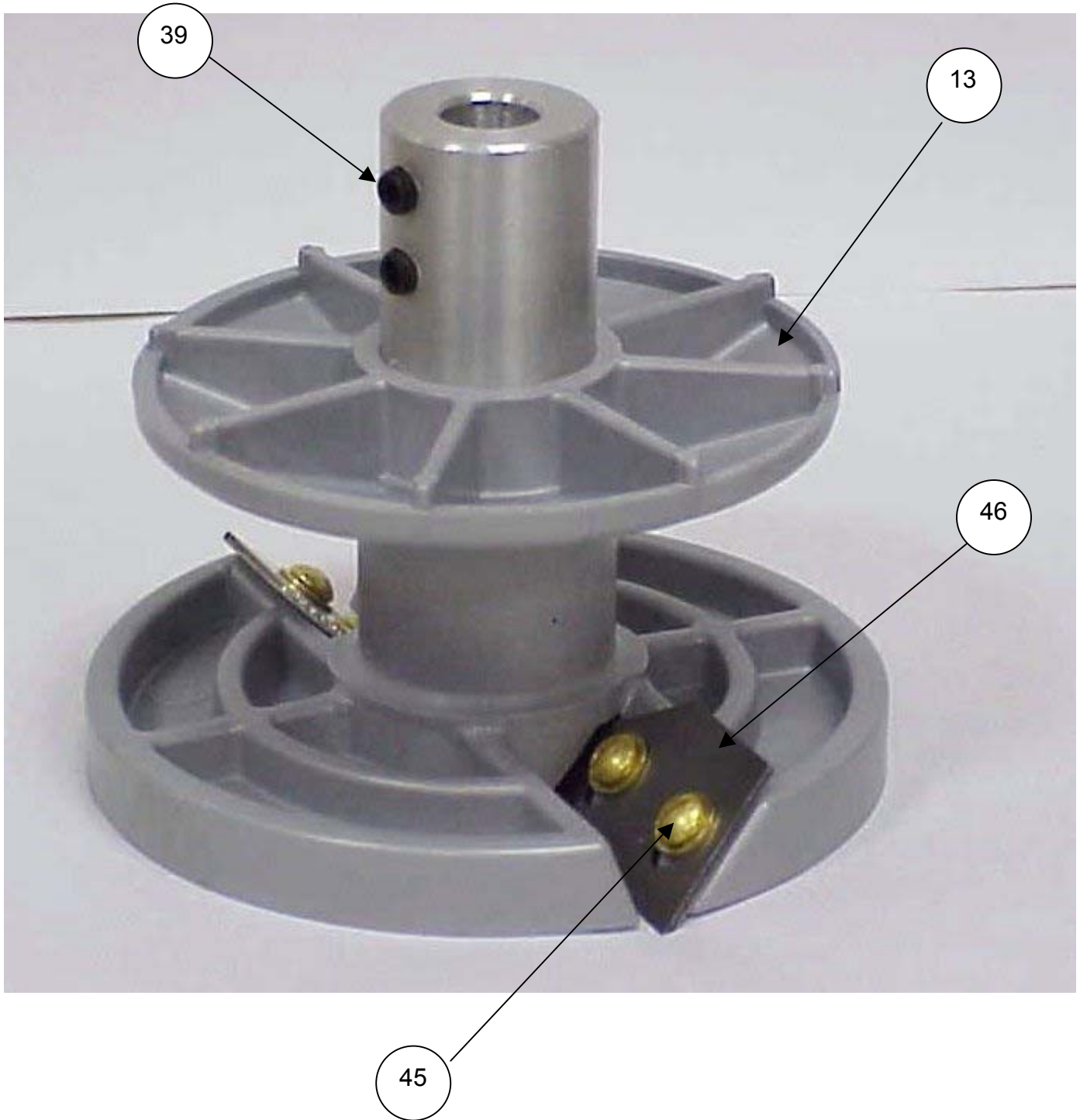
#1002 ASSEMBLY



#1003 ASSEMBLY



SHAVER HEAD



PARTS LIST

	Model # 1002	Model # 1002EX	Model # 1003	Model # 1003EX	
Item No.	Part No.	Part No.	Part No.	Part No.	Description
1	34036	34036	34036	34036	Door Assembly
2	12012	12012	12012	12012	Front Glass Strip
3	12013	12013	12013	12013	Rear Glass Strip
4	12038	12038	12038	12038	Front Glass (15" x 18")
5	12039	12039	12039	12039	Side Glass (15" x 11 15/16")
6	12045	12045	12045	12045	Door Catch (3 Req)
7	12061	12061	12061	12061	Drain Pan Assembly with Drain (Counter)
8	12071	12071	12071	12071	Label, "Do Not Apply Pressure" *
9	22068	22068	22068	22068	Pusher Handle with Gasket & Label
10	22009	22009	22009	22009	Hopper Casting
11	22012	39022EX	22012	39022EX	Drive Motor
12	38971	38971	42798	42798	Motor Switch
13	22015NM	22015NM	22015NM	22015NM	Sno-Konette Shave Head
14	22021	22021	22021	22021	Pusher Handle Gasket
15			22023	22023	Rubber Isolator (8 Req)
16	22034	22034	22034	22034	Ice Shaver Drain Hose (3' Long)
17	22038	42369	22038	42369	Lead-In Cord *
18	47201	74087	42798	42798	Light Switch
19	1088	1088	1088	1088	6 oz Sno Dipper
20	1206	1206	1206	1206	6 oz. Cup Dispenser with Bracket
21	39068	39068	39068	39068	Ice Scoop *
22	41013	41013	41013	41013	Door Knob *
23	22226	22226	N/A	N/A	Dome
24	22222	22222	N/A	N/A	Dome Glass
25	41020	41020			Light Tube Holder *
26	41021	41021			Light Tube Holder Starter *
27	41022	41722			Light Ballast *
28	41023	41023			Light Starter *
29	41057	41057			Light Tube *
30			49837	49837	Lamp Holder *
31			61115	61115	Motor Cover Assembly
32			87065	87065	40 Watt Light Bulb *
33			61112	61112	Light Cover (Plastic) *
34	47010	47010	47010	47010	Label, "Safe Operating Instructions" *
35	47132	47132	47132	47132	Glass Channel (15" Req)
36	47155	47155	47155	47155	Rubber Feet (4 Req)
37	49132	49132	49132	49132	Grip Nut (5/16-8; Motor Mounting; 4) *
38	74119	74119	74119	74119	Label, "Warning Disconnect Power" *

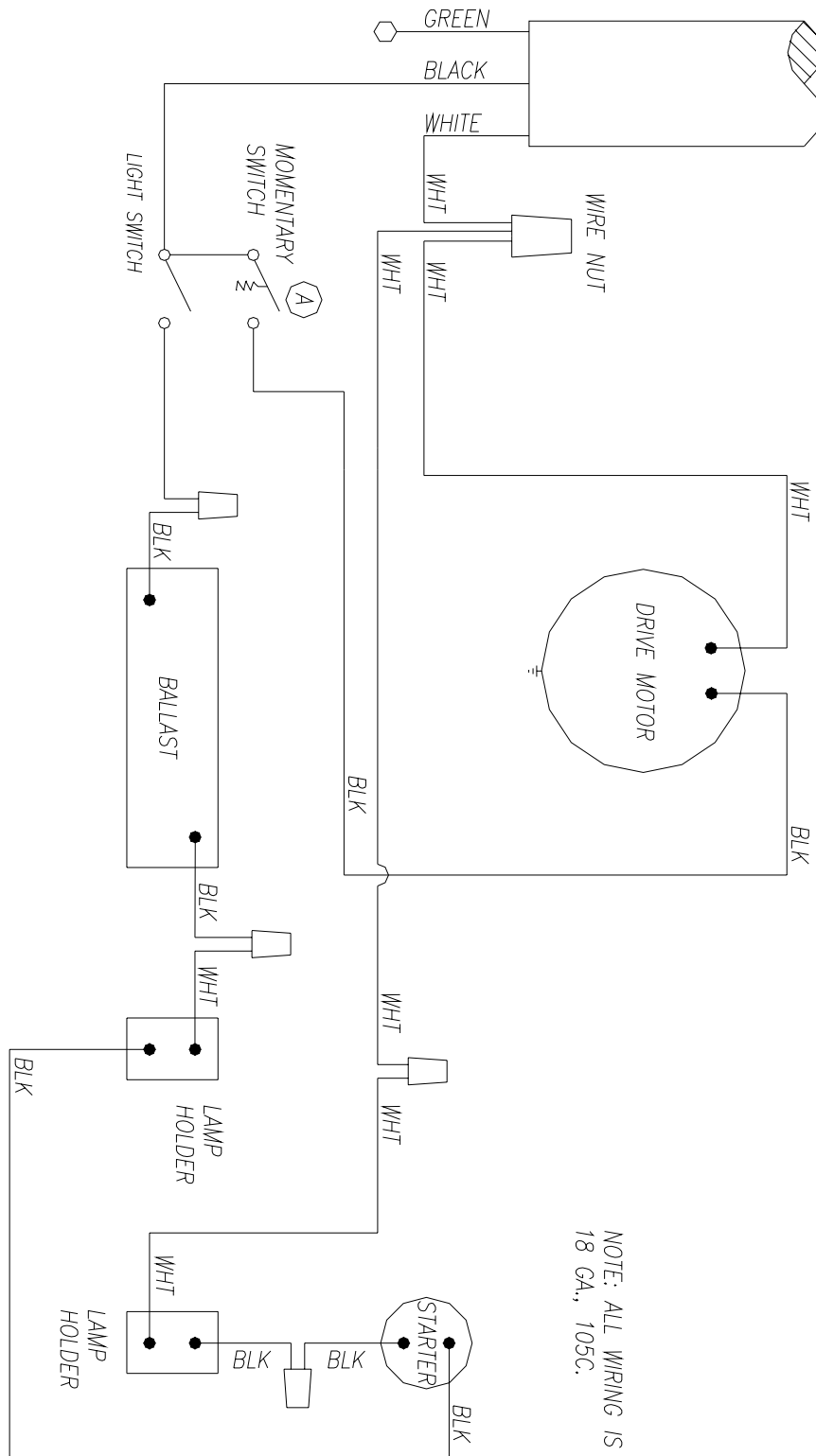
* Not Shown

PARTS LIST

Item No.	Model #	Model #	Model #	Model #	Description
	1002	1002EX	1003	1003EX	
	Part No.	Part No.	Part No.	Part No.	
39	74125	74125	74125	74125	Set Screw (1/4-20 x 3/8)
40	75220	75220	75220	75220	Hose Clamp with Screw
41	87810	87810	87810	87810	Strain Relief - Power Cord
42	76097	76097	76097	76097	Label, "Unplug to Clean" *
43	76135		76135		Power Cord Tag *
44	77747	77747	77747	77747	Slot Head Hex Screw (#8-32 x 3/4")
45	12018	12018	12018	12018	Blade Mounting Screw (8-32 x 3/8" Brass)
46	22018	22018	22018	22018	Two-Hole Blade Set with Screws
47			12480	12480	Decal
48	22062	22062	22062	22062	5/16 x 2 Pan Head M/S
49	47509	47509	47509	47509	Wall Mount Bracket
50	12180	12180	12180	12180	Corner Post with Holes (1)
51	12007	12007	12007	12007	Corner Post (3)
52	12003	12003	12003	12003	Top Frame
53	12004	12004	12004	12004	Bottom Frame

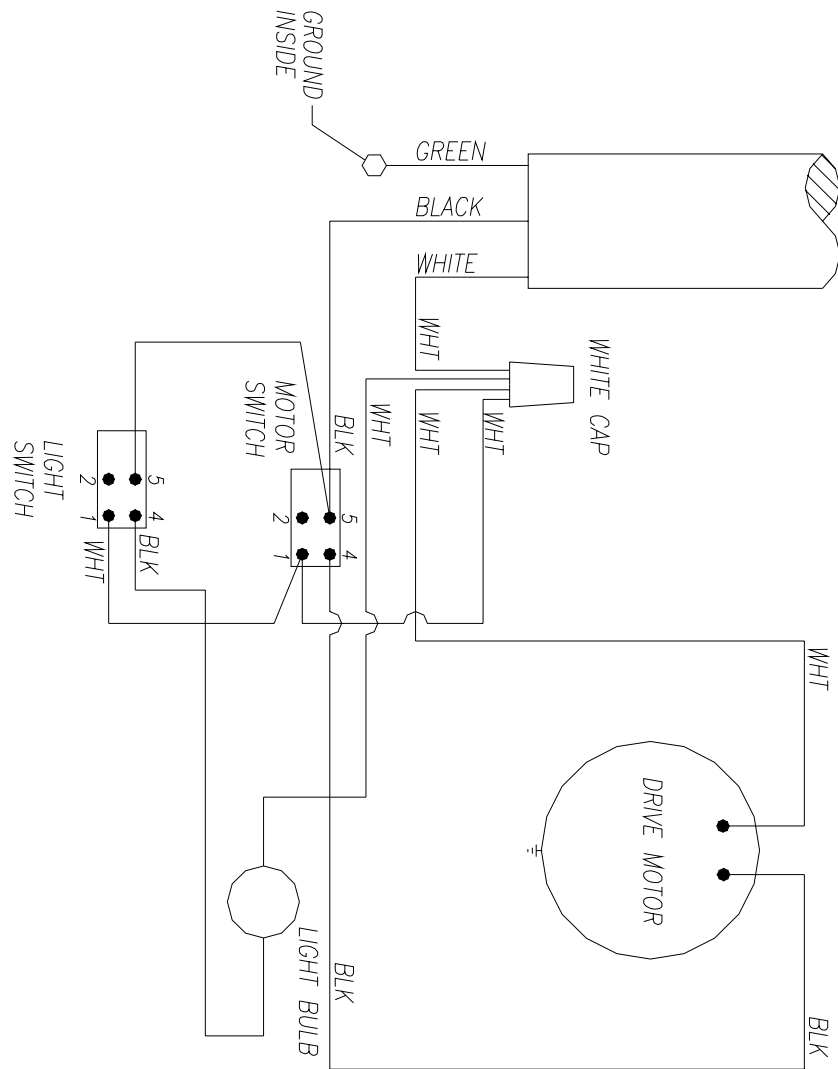
* Not Shown

ELECTRICAL SCHEMATIC – MODEL #1002



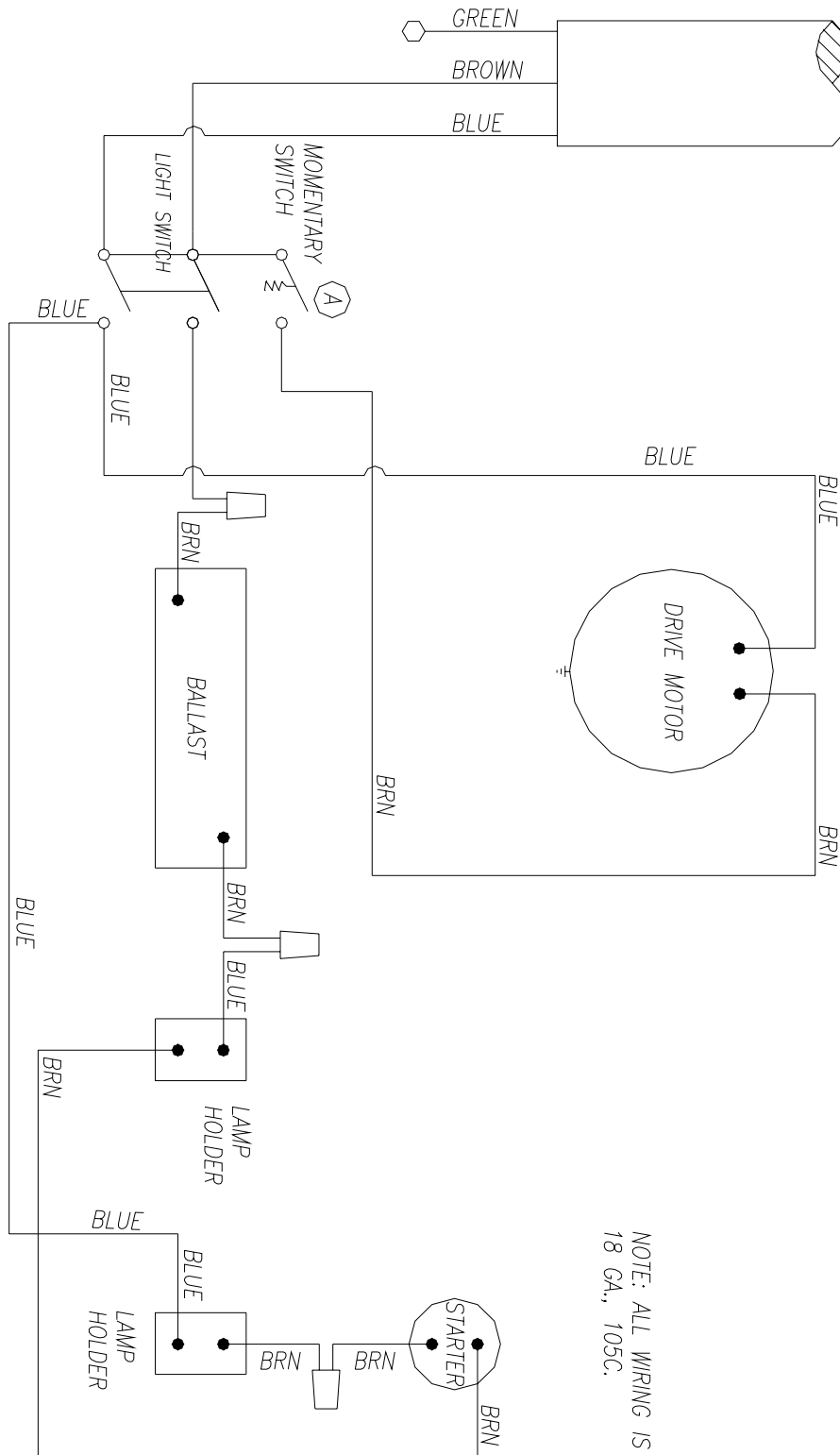
NOTE: ALL WIRING IS U.L. LISTED
18 GA., 105C.

ELECTRICAL SCHEMATIC – MODEL #1003



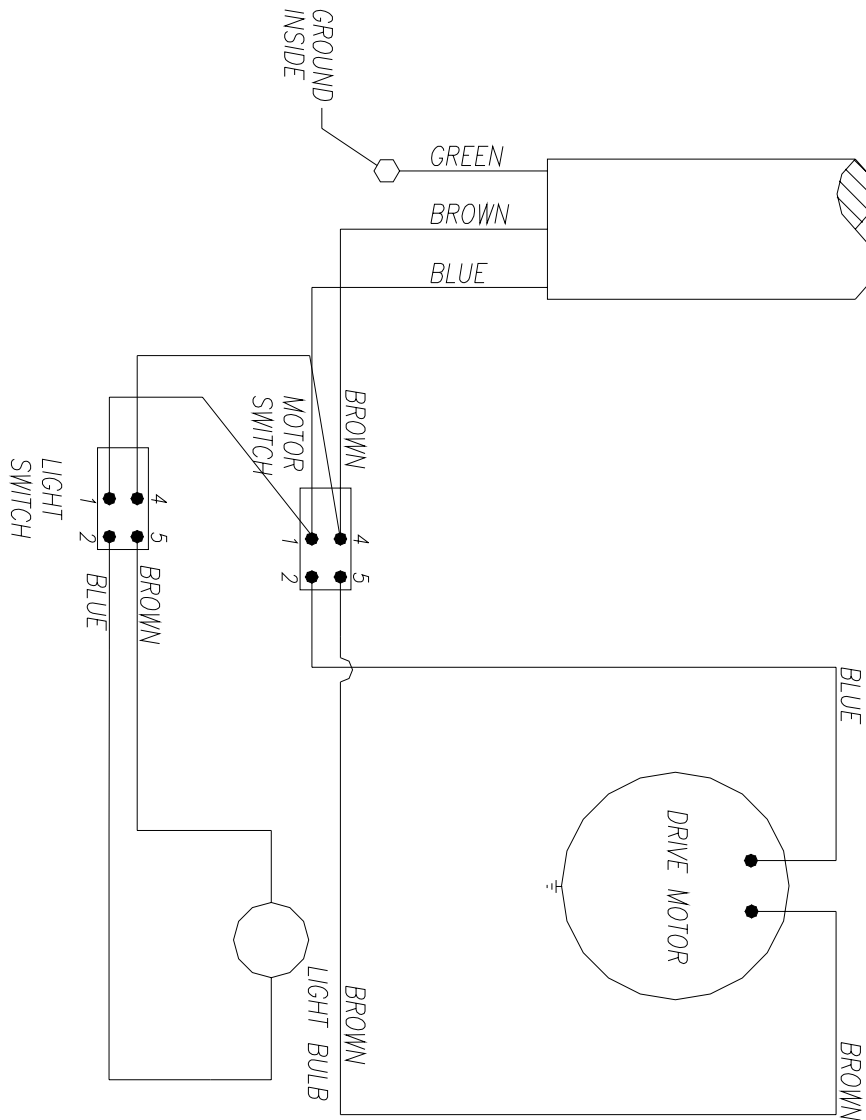
NOTE : ALL WIRING IS U.L. LISTED
18 GA., 105C

ELECTRICAL SCHEMATIC – MODEL #1002EX



NOTE: ALL WIRING IS U.L. LISTED
18 GA., 105C.

ELECTRICAL SCHEMATIC – MODEL #1003EX



NOTE : ALL WIRING IS U.L. LISTED
18 GA., 105C

WARRANTY

WE WARRANT to the original purchaser the Gold Medal equipment sold by us to be free from defects in material or workmanship under normal use and service. Our obligation under this warranty shall be limited to the repair or replacement of any defective part for a period of six (6) months from the date of sale to the Original Purchaser with regard to labor and two (2) years with regard to parts and does not cover damage to the equipment caused by accident, alteration, improper use, voltage, abuse, or failure to follow instructions.

THIS WARRANTY IS IN LIEU OF ALL OTHER WARRANTIES EXPRESSED OR IMPLIED, AND OF ALL OTHER OBLIGATIONS OR LIABILITIES ON OUR PART, INCLUDING THE IMPLIED WARRANTY OF MERCHANTABILITY. THERE ARE NO WARRANTIES WHICH EXTEND BEYOND THE DESCRIPTION ON THE FACE HEREOF. We neither assume, nor authorize any other person to assume for us, any other obligation or liability in connection with the sale of said GOLD MEDAL equipment or any part thereof.

The term "Original Purchaser" as used in this warranty shall be deemed to mean that person, firm, association, or corporation who was billed by the GOLD MEDAL PRODUCTS COMPANY, or their authorized distributor for the equipment.

THIS WARRANTY HAS NO EFFECT AND IS VOID UNLESS THE ORIGINAL PURCHASER FIRST CALLS GOLD MEDAL PRODUCTS COMPANY AT 1-800-543-0862 TO DISCUSS WITH OUR SERVICE REPRESENTATIVE THE EQUIPMENT PROBLEM, AND, IF NECESSARY, FOR INSTRUCTIONS CONCERNING THE REPAIR OR REPLACEMENT OF PARTS.

NOTE: This equipment is manufactured and sold for commercial use only.



GOLD MEDAL PRODUCTS COMPANY
10700 Medallion Drive
Cincinnati, Ohio 45241-4807 USA